



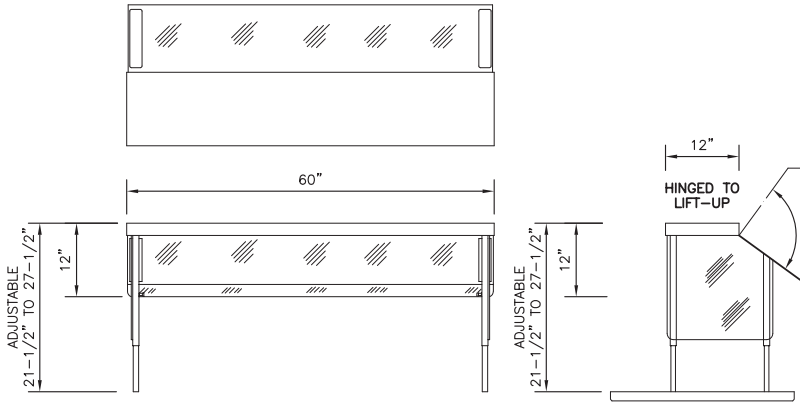
Beyond the Standard

X-STREAMLINE™ Food Shields

Date: _____ Quantity: _____

Item #: _____

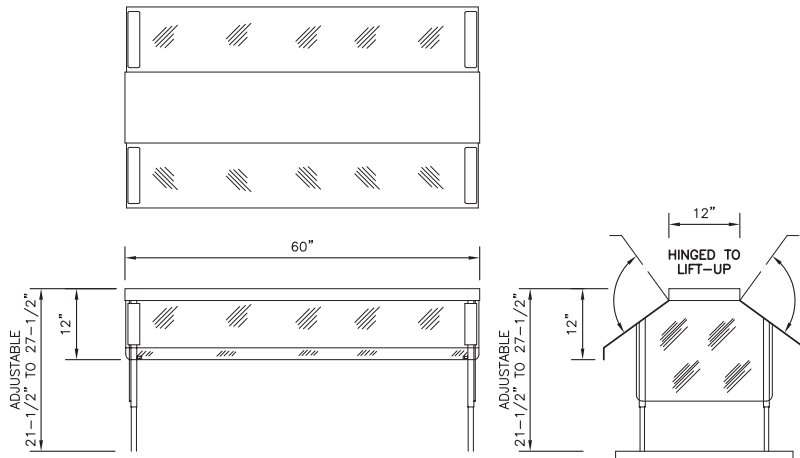
Project: _____



M SINGLE SERVICE BUFFET PROTECTOR - 16 GA. S/S REMOV. TOP, W/ 1/4" PLEXIGLASS GUARDS & END ENCLOSURES. MOUNT ON 1" SQ. ADJ. S/S UPRIGHTS.

➤ **Self service food shield**

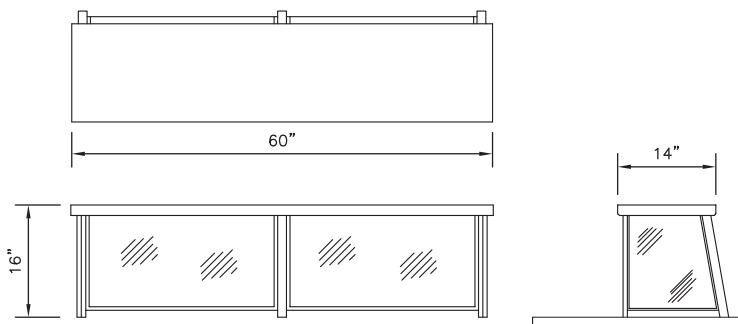
for single service operation shall have 1/4" plexi-glass. A removable top fabricated from stainless steel. Unit to be mounted on 1" supports. Shield to have adjustable height from 6" opening to 12" opening at 1" increments without the use of tools.



N DOUBLE SERVICE BUFFET PROTECTOR - 16 GA. S/S REMOV. TOP, W/ 1/4" PLEXIGLASS GUARDS & END ENCLOSURES. MOUNT ON 1" SQ. ADJ. S/S UPRIGHTS.

➤ **Two sided self-service food shield**

for dual self-service operation shall have a 1/4" plexi-glass with glass end enclosures. A removable top cap shelf mounted over the edge of the guards shall be fabricated from a minimum of 16 gauge stainless steel with all sides turned down square and all corners fully welded, ground and polished. Unit to be mounted on 1" stainless steel tubular supports. Shield to have adjustable height from 6" opening to 12" opening at 1" increments without the use of tools.



G SLOPED FRONT FOOD PROTECTOR - 16 GA. S/S TOP SHELF. MOUNT ON 1 1/4" SQ. S/S UPRIGHTS. ENCLOSE FRONT & ENDS W/ 1/4" PLEXIGLASS, S/S CHANNEL BOUND.

➤ **Operator serve protector case**

shall have a 16 gauge stainless steel top serving shelf with all edges turned down square and all corners fully welded, ground and polished. Edges to have #7 Hi-lite finish. Ends and sloped front glass to be 1/4" tempered glass having airspace at top and bottom. All glass to be bound in stainless steel channel to prevent chipping.



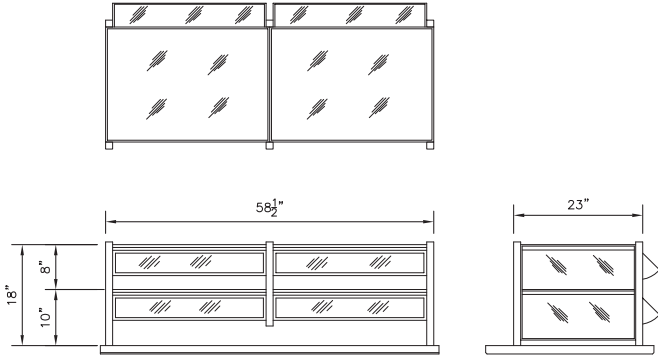


Beyond the Standard

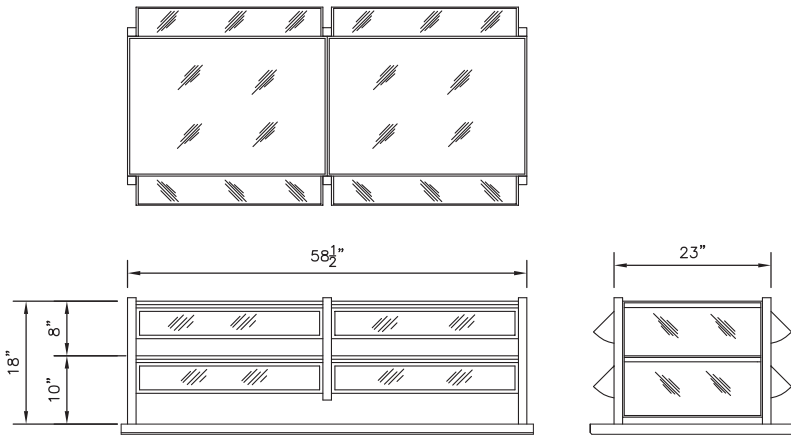
X-STREAMLINE™

Food Shields

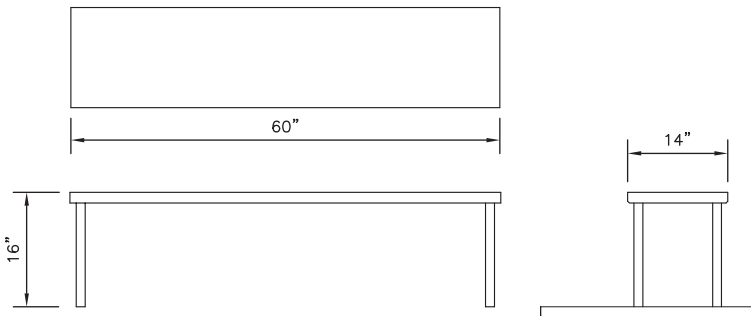
Item #: _____



ⓘ TWO TIER DISPLAY STAND - 1 1/4" SQ. S/S UPRIGHTS W/ S/S FRAMEWORK. 1/4" PLATE GLASS SHELVES. PLEXIGLASS ENDS & ADJ. SNEEZE GUARDS, S/S CHANNEL BOUND.



ⓘ TWO TIER DISPLAY STAND - 1 1/4" SQ. S/S UPRIGHTS W/ S/S FRAMEWORK. 1/4" PLATE GLASS SHELVES. PLEXIGLASS ENDS & ADJ. SNEEZE GUARDS, S/S CHANNEL BOUND.



ⓘ OVERSHELF - 16 GA. S/S - ALL EDGES TURNED DOWN - FULLY WELDED GROUND AND POLISHED - MOUNTED TO TOP W/ 1" SQ. S/S TUBULAR UPRIGHTS.

➤ **Two shelf glass display case**

shall have uprights constructed of 1 1/4" square stainless steel tubing with stainless steel cap and base. Shelves to be 1/4" polished plate glass resting on a horizontal stainless steel framework welded to the uprights. The display stand is to be enclosed on the front and ends with 1/4" polished plate glass. Front sneeze guard to be mounted on adjustable stainless steel brackets.

➤ **Two sided two shelf glass display case**

with sloped front stand shall have uprights constructed of 1 1/4" square stainless steel tubing with stainless steel cap and base. Shelves to be 1/4" polished plate glass resting on a horizontal stainless steel framework welded to the uprights. The display stand is to be enclosed on the front and ends with 1/4" polished plate glass. Front sneeze guard to be mounted on adjustable stainless steel brackets on both long sides.

➤ **Stainless steel over shelf**

shall be constructed of 16 gauge stainless steel with all edges turned down square and all corners fully welded, ground and polished. To have #4 satin finish and all edges to be #7 Hi-lite finish. 1" O.D. stainless steel tubular uprights to be secured to the table top.



Due to continuing product improvement, units and specifications are subject to change without notice.

(4/2008)