

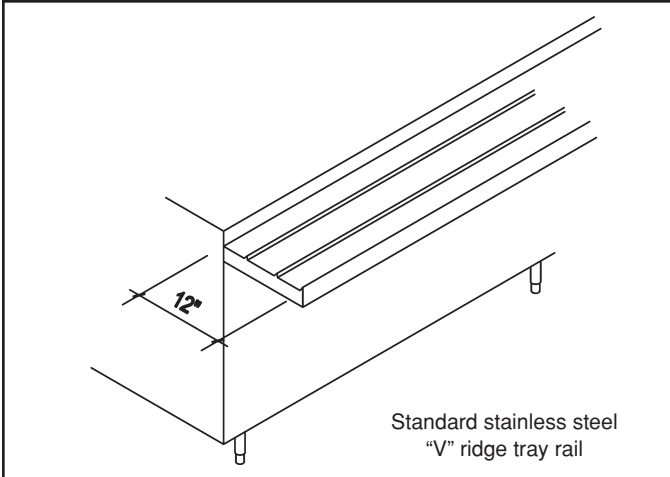
# TRAY SLIDES



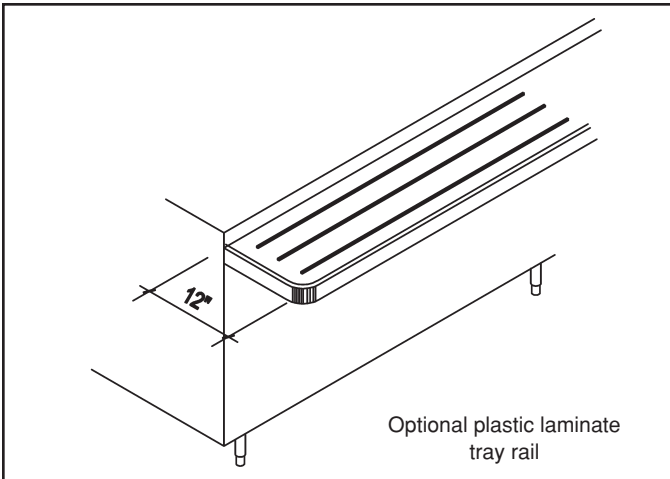
Item #: \_\_\_\_\_ Quantity: \_\_\_\_\_

AIA: \_\_\_\_\_ Date: \_\_\_\_\_

Project: \_\_\_\_\_



- Stainless steel "V" ridge - standard
- Flat stainless steel - optional
- Plastic laminate - optional
- Quartz - optional
- Corian - optional
- Tubular tray slide - 1 O.D. stainless steel
- Top Extension used as tray rail - optional

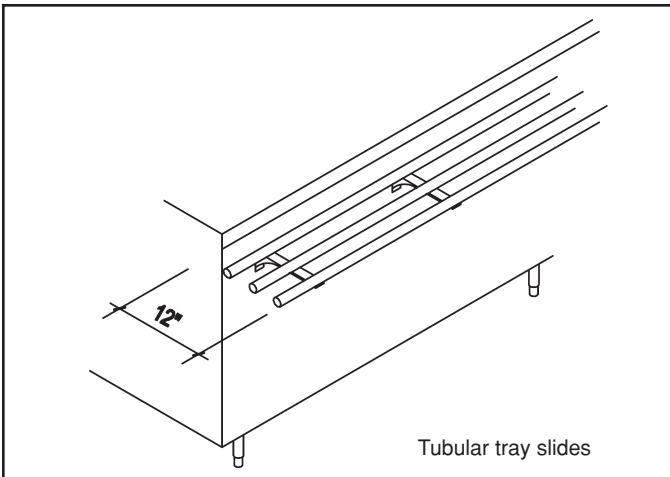


A. Solid tray slide to be 16-gauge stainless steel with three inverted "V" ridges on surface. Ends and side turned down square with all corners fully welded, ground and polished. Support brackets to be stainless steel fold down type.

B. Flat surface solid tray slide to be 16-gauge stainless steel with ends and sides turned down square and all corners fully welded, ground and polished. Support brackets to be stainless steel fold down type.

C. Tubular tray slide shall be three bar construction of 1" O.D. stainless steel tubing with capped ends. Support brackets to be stainless steel fold down type.

D. Consult factory for solid surface and top extension tray rail options.



Due to continuing product improvement, units and specifications are subject to change without notice. (10/2007)