

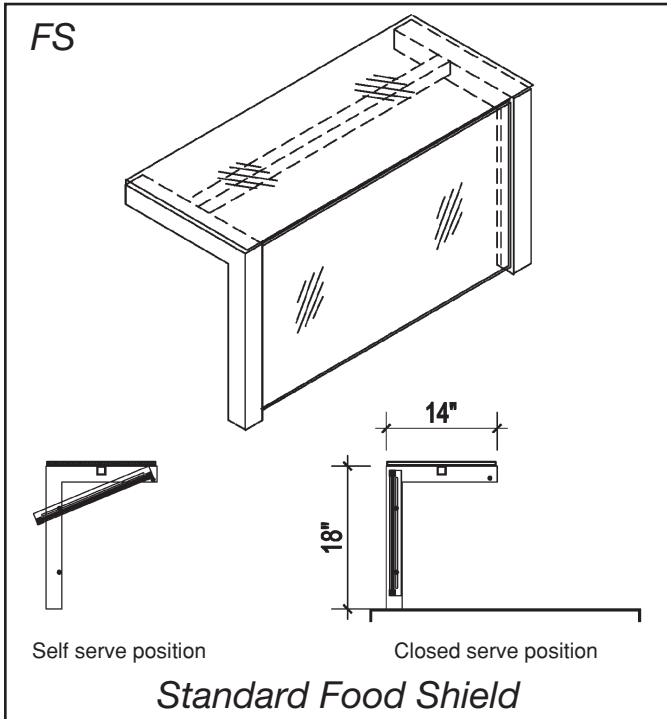
FOOD SHIELDS



Item #: _____ Quantity: _____

AIA: _____ Date: _____

Project: _____

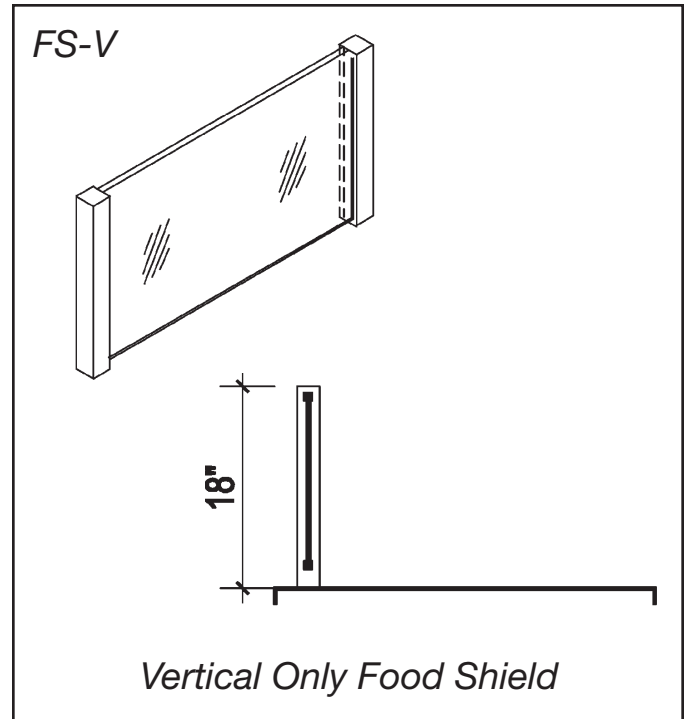
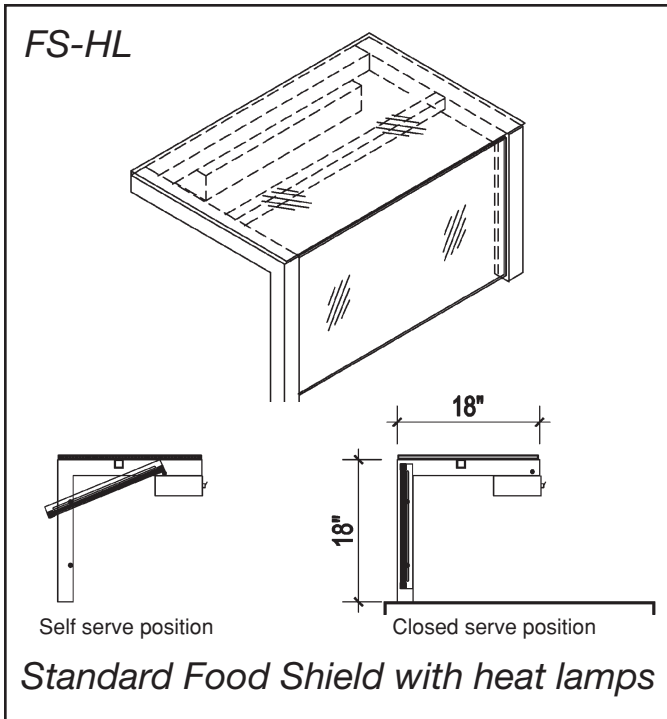


- FS standard food shield
- FS-HL standard food shield with heat lamp
- FS-V standard vertical only food shield
- FS-TTD display shelves
- FS-DS double sided shields available, contact factory

A. Single service food shield for single self service operation shall have 3/8" tempered glass and 1"x2" black powder coated construction. Also available in stainless steel finish and other powder coated colors. Standard units are convertible from operator service to self service.

B. Double service buffet food shield for dual self service operation shall have 3/8" tempered glass and 1"x2" black powder coated construction. Also available in stainless steel finish and other powder coated colors.

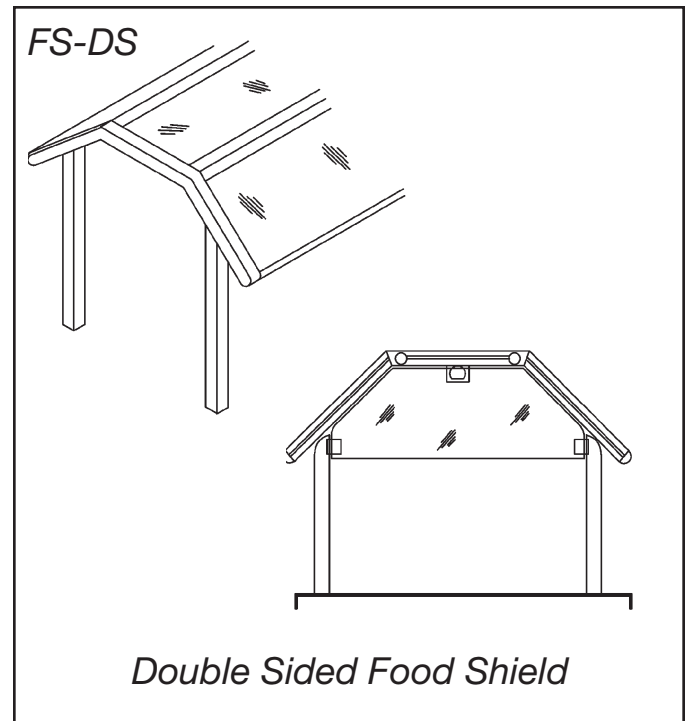
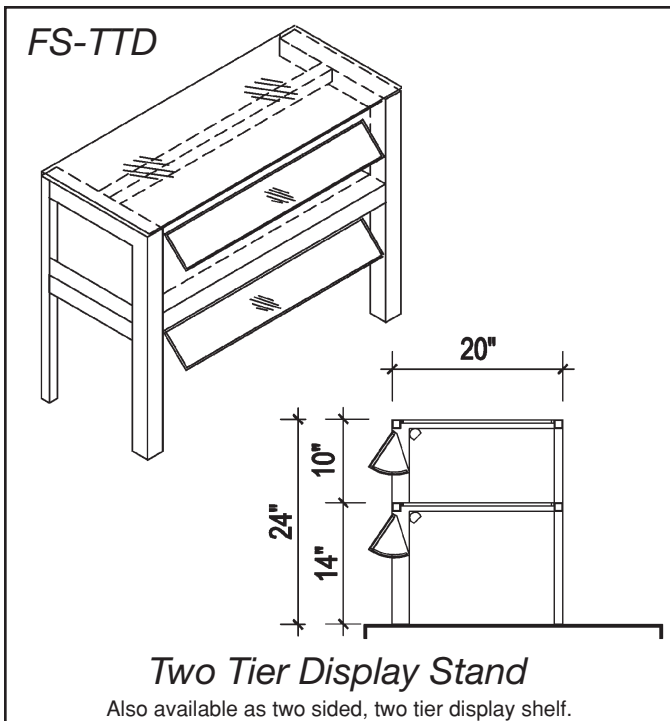
C. Additional food shield styles available. Contact factory for information.



FOOD SHIELDS



Item #: _____



Due to continuing product improvement, units and specifications are subject to change without notice. (10/2007)